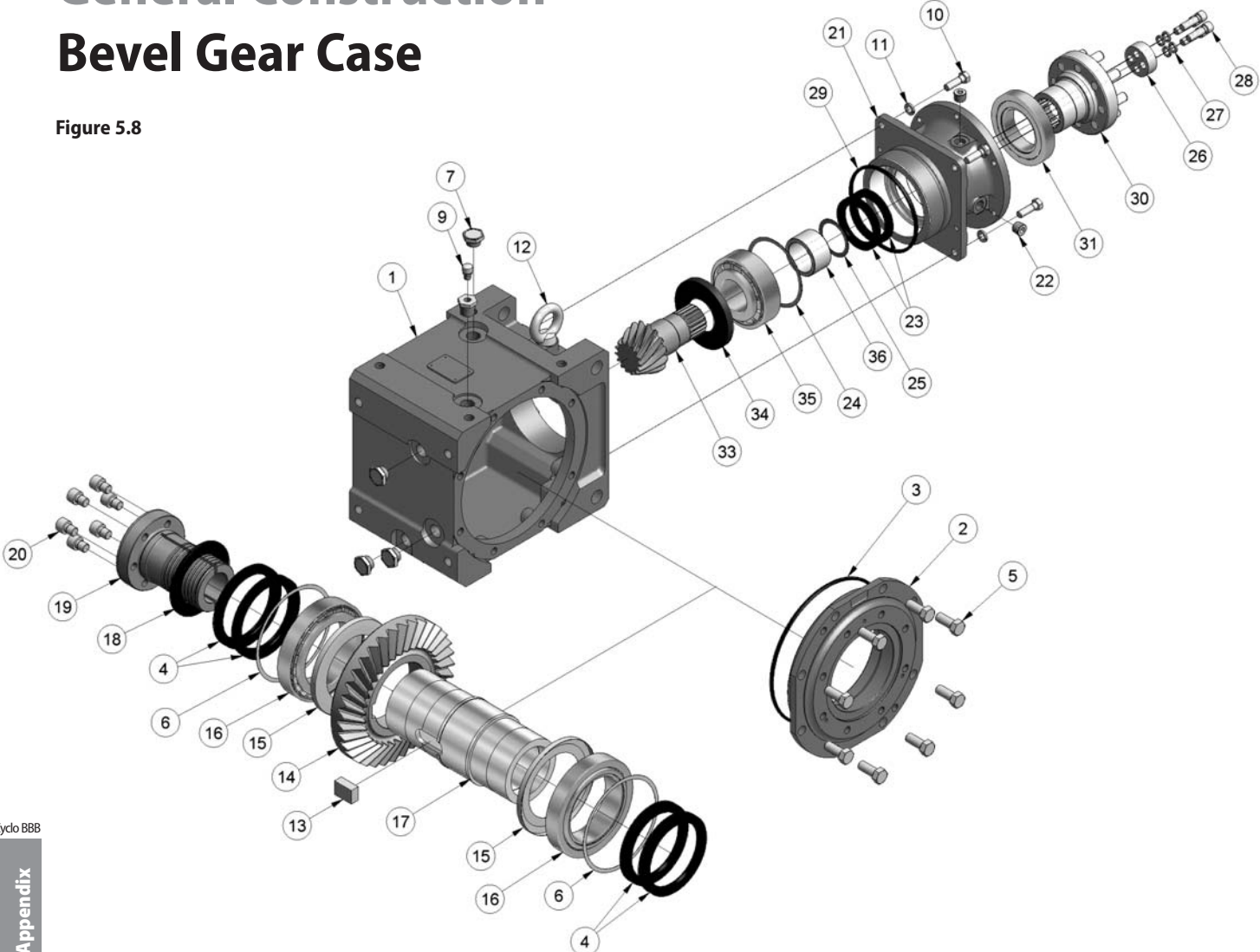


Parts List

General Construction Bevel Gear Case

Figure 5.8



Cyclo BBB

Appendix

Parts List continued

Table 5.16 Parts Code Numbers

Unit Size

Item No.	Description	QTY	A	B	C	D	E
1	Gear Housing	1	AE983LG	AE984LG	AE985LG	AE986LG	AE987LG
2	Output Cover	1	BL520LG	BL531LG	BL542LG	BL550LG	BL554LG
3	O-Ring	1	540NG1701-A-G	540NG2101-A-G	540NG2601-A-G	541N5.7-3258G	541N5.7-3757G
4	Oil Seal	4	531N8511013-G	531N10012513G	531N12015014G	531N14017014G	531N16019016G
5	Hex Head Bolt	8	001M010R030NG	001M012R030NG	001M016R040NG	001M020R050NG	001M020R050NG
6[2]	Shim	Varies	As required	As required	As required	As required	As required
7	Plug	8	343C008R- --NG	343C008R- --NG	343C012R- --NG	343C012R- --NG	343C012R- --NG
9	Air Vent	1	DT206LG	DT206LG	DT206LG	DT206LG	DT206LG
10	Hex Head Bolt	4	001M010R030NG	001M010R030NG	001M012R040NG	001M016R050NG	001M016R050NG
11	Spring Washer	4	062W010- ---NG	062W010- ---NG	062W012- ---NG	062W016- ---NG	062W016- ---NG
12	Eye Bolt	1	006C016R- --NG	006C016R- --NG	006C020R- --NG	006C020R- --NG	006C024R- --NG
13	Key	1	233M2214021NG	233M2514028NG	233M2816040NG	233M3218050NG	233M3620060NG
14	Bevel Gear	1	AP0646G	AP0647G	AP0648G	AP0649G	AP0650G
15	Nilos Ring	2	50532017XAV-G	50532020XAV-G	50532024XAV-G	50532028XAV-G	50532032XAV-G
16	Tapered Roller Bearing	2	503T32017XU-G	503T32020XU-G	503T32024XU-G	503T32028XU-G	503T32032XU-G
17	Taper-Grip® Output Hub	1	BL937LG	BL938LG	BL939LG	BL940LG	BL941LG
18[3]	Thrust Plate	1	—	—	—	—	—
19	Taper-Grip® Bushing	1	As required	As required	As required	As required	As required
20[3]	Taper-Grip® Bushing Screws	Varies	—	—	—	—	—
21[4]	Flanged Casing	1	As required	As required	As required	As required	As required
22	Hex Socket Plug	Varies	As required	343C008R- --NG	343C008R- --NG	343C008R- --NG	343C008R- --NG
23	Oil Seal	2	530N50689- --G	530N60759- --G	530N709513- --G	530N9011513-G	530N9011513-G
24[2]	Shim	Varies	As required	As required	As required	As required	As required
25[2]	Shim	Varies	As required	As required	As required	As required	As required
26	End Plate	1	AW7028G	AW7030G	AW7032G	As required	AW7036G
27	Lock Washer	4	EU593WW-05	EU593WW-05	EU593WW-07	As required	EU593WW-09
28	Hex. Soc. Hd. Cap Screw	4	009M008R030NG	009M010R035NG	009M012R040NG	As required	009M016R055NG
29	O-Ring	1	540NG1101-A-G	540NG1301-A-G	540NG1501-A-G	540NG1751-A-G	540NG1851-A-G
30[5]	Pin Carrier	1	As required	As required	As required	As required	As required
31	Tapered Roller Bearing	1	As required	As required	As required	As required	As required
33	Bevel Pinion Shaft	1	BL513LG	BL525LG	BL536LG	As required	BL553LG
34	Nilos Ring	1	50532308AV- --G	50532310AV- --G	50532312AV- --G	50532314AV- --G	50532315AV- --G
35	Tapered Roller Bearing	1	503T32308U- --G	503T32310U- --G	503T32312U- --G	503T32314U- --G	503T32315U- --G
36	Collar	1	AW7027G	AW7029G	AW7031G	As required	AW7034G

- Notes: [1] When ordering replacement parts, please indicate the complete unit model number, ratio and serial number.
[2] Shims are not available individually. They may be ordered as a complete set only.
[3] Item Numbers 18 and 20 are not available as individual parts. They come complete with the Taper-Grip® Bushing.
[4] The Flange Casing is determined based on the associated input Cyclo size.

Cyclo BBB

Appendix